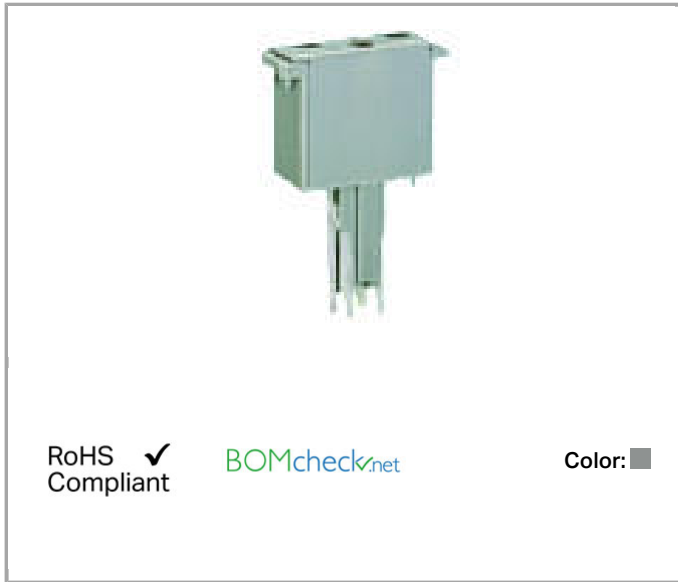


# Data sheet | Item number: 280-804

Empty component plug housing; 10 mm wide; Type 3; 4-pole



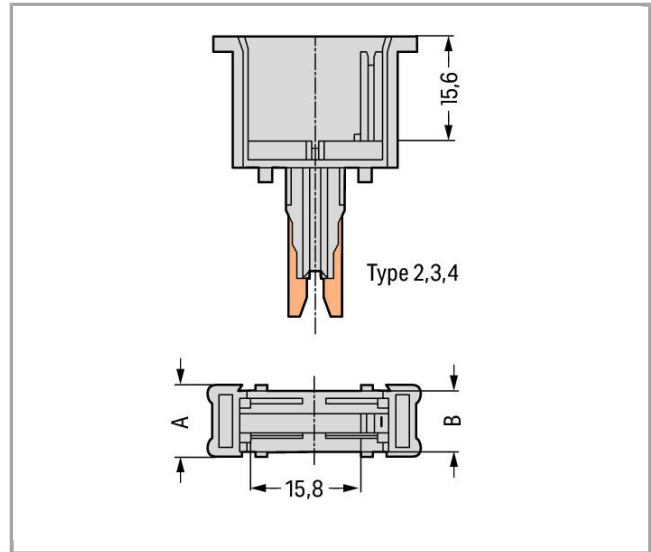
280-804



RoHS  Compliant

[BOMcheck.net](https://www.bomcheck.net)

Color:



## Item description

Empty component plug housing, type 3

### Note:

Inside dimensions of plug W/H/D 8.2/15/15 mm (0.323/0.591/0.591 in)

## Data

### Electrical data

Rated continuous current	6 A
--------------------------	-----

### Safety and protection:

Rated voltage	250 V
---------------	-------

Rated impulse voltage	4 kV
-----------------------	------

Pollution degree	3
------------------	---

### Connection data

No. of poles	4
--------------	---

Type of wiring	Front-entry wiring
----------------	--------------------

**Geometrical Data**

Width	10 mm / 0.394 inch
-------	--------------------

**Mechanical data**

Housing design	Pluggable module for terminal blocks
Type of mounting	Pluggable module for carrier terminal block

**Material Data**

Color	gray
Fire load	0.08 MJ
Weight	3.974 g

**Commercial data**

Product Group	1 (Rail Mounted Terminal Blocks)
Country of origin	DE
GTIN	4044918270434
Customs Tariff No.	85369010000

**Downloads****Documentation****Additional Information**

Disposal; Electrical and electronic equipment, Packaging	V 1.0.0	pdf 265.8 kB	Download
--	---------	-----------------	----------

Subject to changes.